



Model Number

UC-18/30GM-IR

Interface cable

Function

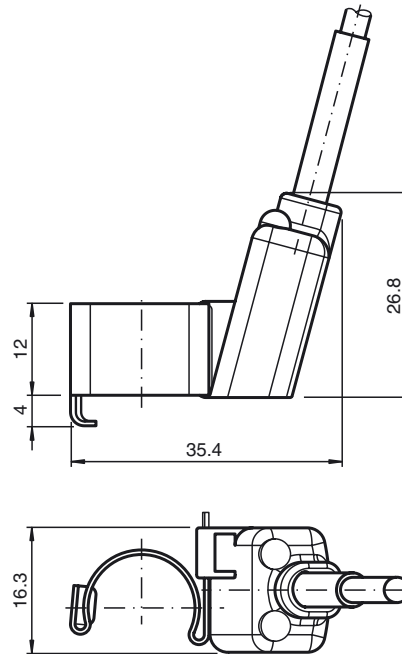
The UC-18/30GM-IR interface cable allows UC...-30GM70-...-V15 type ultrasonic sensors to be parameterized. The ULTRA-PROG-IR service program serves as the user interface. The cable connects the USB interface of the PC to the infra red interface of the sensor.

Accessories

ULTRA-PROG-IR

Configuration software for ultrasonic sensors

Dimensions



Technical data

Indicators/operating means

LED green	USB communication active
LED yellow	Infrared communication active

Electrical specifications

Operating current	< 100 mA
-------------------	----------

Interface

Interface type	Infrared
Mode	point-to-point connection

Ambient conditions

Ambient temperature	-25 ... 70 °C (-13 ... 158 °F)
Storage temperature	-40 ... 85 °C (-40 ... 185 °F)
Shock resistance	30 g , 11 ms period
Vibration resistance	10 ... 55 Hz , Amplitude ± 1 mm

Mechanical specifications

Connection type	Cable connector with cable PUR , 3 m USB-Male Connector Typ A (Standard)
Protection degree	IP65
Material	black polycarbonate (PC)
Cable	
Color	black

General information

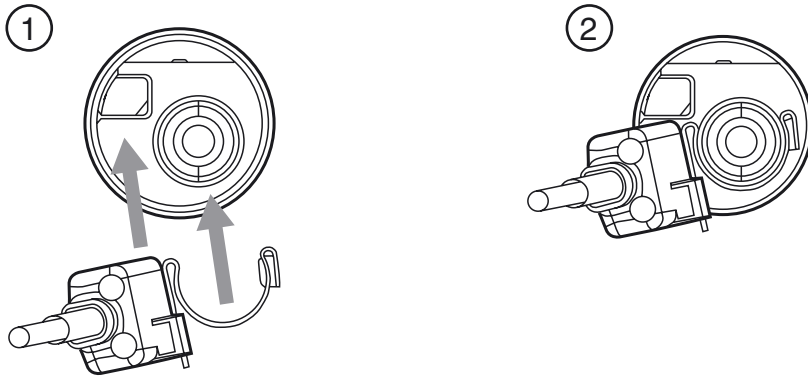
Scope of delivery	Interface cable 2 x Spring clip
-------------------	------------------------------------

Compliance with standards and directives

Standard conformity	
Standards	EN 60947-5-2:2007 IEC 60947-5-2:2007

Note**Mounting on the sensor**

Attach the interface cable by snapping the spring clip onto the mounted female cordset on the back of the sensor. Ensure correct alignment. Only by doing this can the infra-red connection be set up between the interface cable and the sensor interface; see image below.

**Note:**

Two spring clips are included in the scope of delivery for the interface cable. The spring clips are plugged into the interface cable housing and can easily be replaced. Use the smaller of the two spring clips for pre-assembled female cordsets. Use the larger of the two spring clips for field-attachable female cordsets with larger diameters.