



Model Number

ML300-P-6m-RT/59/103/115

Thru-beam sensor
with 2 m fixed cable

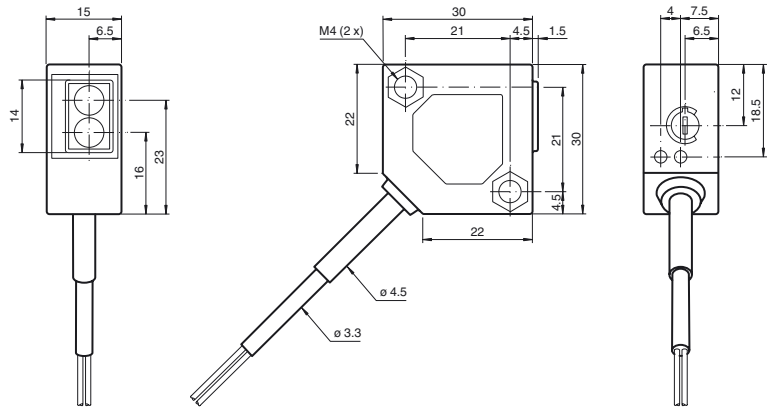
Features

- Miniature design
- Easy to use
- Visible red light
- 45° cable connector

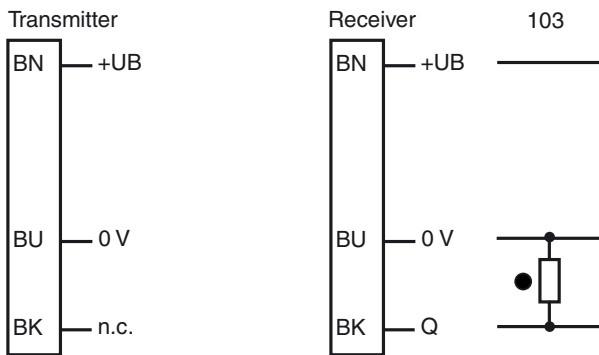
Product information

The ML300 series has a robust miniature housing and all the standard functional principles. Of particular note are the sensors with analog output, which return a value proportional to the distance. The 45° plug/cable connection ensures flexible mounting. An LED indicates a weak signal, e.g. due to dirt.

Dimensions

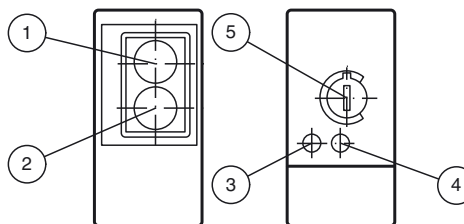


Electrical connection



- = Light on
- = Dark on

Indicators/operating means



1	Receiver	
2	Emitter	
3	Switching state	yellow only Receiver
4	Stability control	green only Receiver
5	Sensitivity adjustment	only Receiver

Release date: 2011-12-20 15:55 Date of issue: 2012-01-09 238203_eng.xml

Subject to modifications without notice

Pepperl+Fuchs Group
www.pepperl-fuchs.com

USA: +1 330 486 0001
fa-info@us.pepperl-fuchs.com

Germany: +49 621 776-4411
fa-info@pepperl-fuchs.com

Copyright Pepperl+Fuchs
Singapore: +65 6779 9091
fa-info@sg.pepperl-fuchs.com

Technical data**System components**

Emitter	ML300-T-6m-RT/115
Receiver	ML300-R-6m-RT/59/103/115

General specifications

Effective detection range	0 ... 6 m
Threshold detection range	8 m
Light source	LED
Light type	modulated visible red light 660 nm
Diameter of the light spot	approx. 500 mm at 6 m
Angle of divergence	approx. 5 °
Ambient light limit	
Continuous light	10000 Lux
Modulated light	5000 Lux

Indicators/operating means

Function display	LED yellow: lights up when output is active LED green: Sufficient stability control
Controls	sensitivity adjustment

Electrical specifications

Operating voltage	U_B	10 ... 30 V DC
Ripple		max. 10 %
No-load supply current	I_0	Emitter: ≤ 20 mA Receiver: ≤ 15 mA

Output

Switching type	dark on	
Signal output	1 PNP output, short-circuit protected, protected from reverse polarity, open collector	
Switching voltage	max. 30 V DC	
Switching current	max. 0.1 A	
Voltage drop	U_d	≤ 2 V DC
Switching frequency	f	1000 Hz
Response time		0.5 ms

Ambient conditions

Ambient temperature	-25 ... 55 °C (-13 ... 131 °F)
---------------------	--------------------------------

Mechanical specifications

Protection degree	IP65
Connection	2 m fixed cable
Material	
Housing	ABS
Optical face	plastic
Cable	PVC
Mass	150 g (emitter and receiver)

Compliance with standards and directives

Directive conformity	
EMC Directive 2004/108/EC	EN 60947-5-2:2007
Standard conformity	
Product standard	EN 60947-5-2:2007 IEC 60947-5-2:2007
Shock and impact resistance	EN 60947-5-7 30 g, 11 ms, all axes
Vibration resistance	EN 60947-5-7, 10–55 Hz/1.5 mm amplitude, all axes

Approvals and certificates

UL approval	no
CCC approval	Products with a maximum operating voltage of ≤36 V do not bear a CCC marking because they do not require approval.

Accessories**OMH-ML300-01**

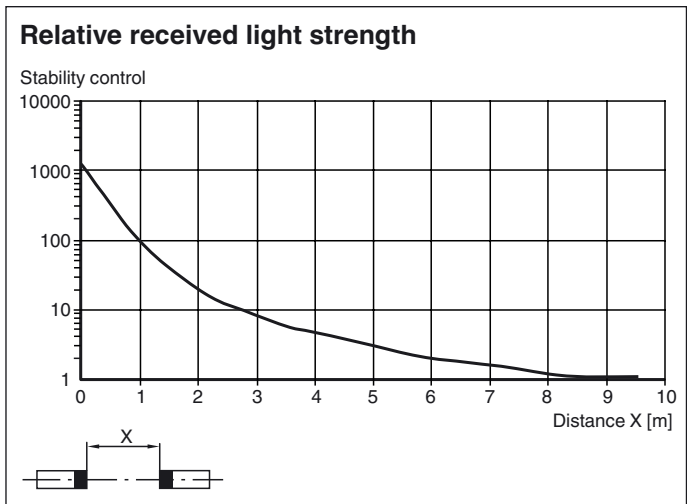
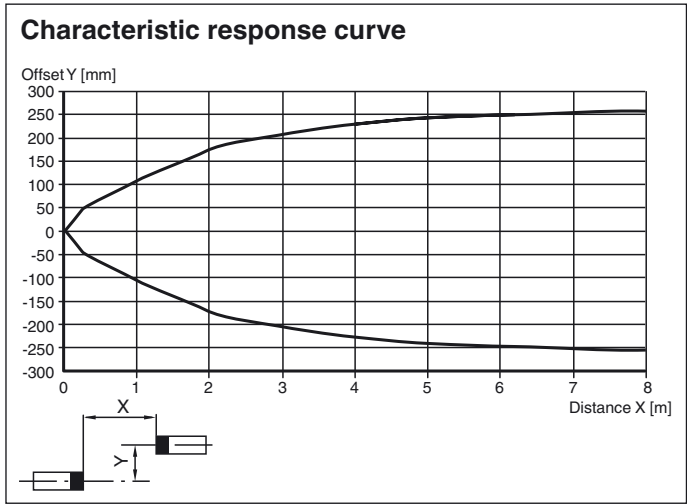
Bracket for mounting ML300 series sensors

OMH-ML300-02

Bracket for mounting ML300 series sensors on a 35 mm DIN rail

Other suitable accessories can be found at www.pepperl-fuchs.com

Curves/Diagrams



Release date: 2011-12-20 15:55 Date of issue: 2012-01-09 238203_eng.xml