



**Model Number**

**UB300-18GM40-I-V1**

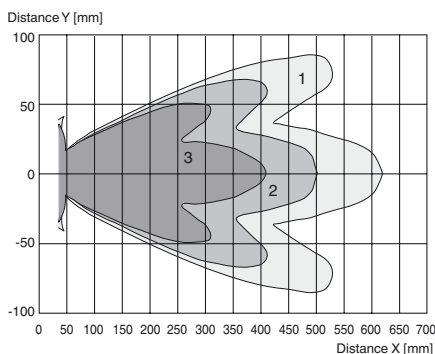
Single head system

**Features**

- Short design, 40 mm
- Function indicators visible from all directions
- Analog output 4 mA ... 20 mA
- Measuring window adjustable
- Program input
- Temperature compensation

**Diagrams**

**Characteristic response curve**



Curve 1: flat surface 100 mm x 100 mm  
 Curve 2: flat surface 10 mm x 10 mm  
 Curve 3: round bar, Ø 25 mm

Release date: 2014-06-23 16:07 Date of issue: 2014-06-23 220360\_eng.xml

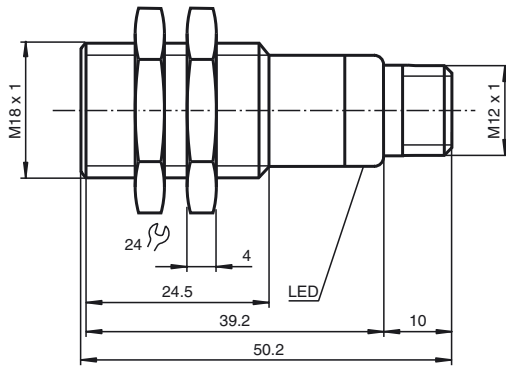
**Technical data**

<b>General specifications</b>	
Sensing range	35 ... 300 mm
Adjustment range	50 ... 300 mm
Unusable area	0 ... 35 mm
Standard target plate	100 mm x 100 mm
Transducer frequency	approx. 390 kHz
Response delay	approx. 50 ms
<b>Indicators/operating means</b>	
LED green	Power on
LED yellow	solid yellow: object in the evaluation range yellow, flashing: program function, object detected
LED red	solid red: Error red, flashing: program function, object not detected
<b>Electrical specifications</b>	
Operating voltage $U_B$	10 ... 30 V DC, ripple 10 % <sub>SS</sub>
No-load supply current $I_0$	≤ 20 mA
<b>Input</b>	
Input type	1 program input lower evaluation limit A1: $-U_B ... +1$ V, upper evaluation limit A2: $+4$ V ... $+U_B$ input impedance: > 4.7 kΩ, pulse duration: ≥ 1 s
<b>Output</b>	
Output type	1 analog output 4 ... 20 mA, short-circuit/overload protected
Default setting	evaluation limit A1: 50 mm evaluation limit A2: 300 mm
Resolution	0.4 mm at max. sensing range
Deviation of the characteristic curve	± 1 % of full-scale value
Repeat accuracy	± 0.5 % of full-scale value
Load impedance	0 ... 300 Ohm
Temperature influence	± 1.5 % of full-scale value
<b>Ambient conditions</b>	
Ambient temperature	-25 ... 70 °C (-13 ... 158 °F)
Storage temperature	-40 ... 85 °C (-40 ... 185 °F)
<b>Mechanical specifications</b>	
Connection type	Connector M12 x 1, 4-pin
Degree of protection	IP67
<b>Material</b>	
Housing	brass, nickel-plated
Transducer	epoxy resin/hollow glass sphere mixture; foam polyurethane, cover PBT
Mass	25 g
<b>Compliance with standards and directives</b>	
<b>Standard conformity</b>	
Standards	EN 60947-5-7:2003 IEC 60947-5-7:2003

**Approvals and certificates**

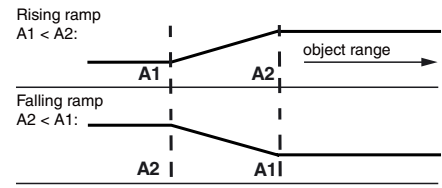
UL approval	cULus Listed, General Purpose
CSA approval	cCSAus Listed, General Purpose
CCC approval	CCC approval / marking not required for products rated ≤36 V

Dimensions



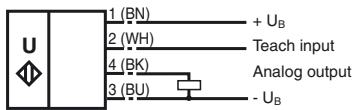
Additional Information

Programmed analogue output function



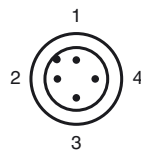
Electrical Connection

Standard symbol/Connections:  
(version I)



Core colors in accordance with EN 60947-5-2.

Pinout



Wire colors in accordance with EN 60947-5-2

1	BN	(brown)
2	WH	(white)
3	BU	(blue)
4	BK	(black)

Release date: 2014-06-23 16:07 Date of issue: 2014-06-23 220360\_eng.xml

**Accessories**

**UB-PROG2**

Programming unit

**OMH-04**

Mounting aid for round steel  $\varnothing$  12 mm or sheet 1.5 mm ... 3 mm

**BF 18**

Mounting flange, 18 mm

**BF 18-F**

Mounting flange with dead stop, 18 mm

**BF 5-30**

Universal mounting bracket for cylindrical sensors with a diameter of 5 ... 30 mm

**V1-G-2M-PVC**

Female cordset, M12, 4-pin, PVC cable

**V1-W-2M-PUR**

Female cordset, M12, 4-pin, PUR cable

**Adjusting the evaluation limits**

The ultrasonic sensor features an analogue output with two teachable evaluation limits. These are set by applying the supply voltage  $-U_B$  or  $+U_B$  to the TEACH-IN input. The supply voltage must be applied to the TEACH-IN input for at least 1 s. LEDs indicate whether the sensor has recognised the target during the TEACH-IN procedure. The lower evaluation limit A1 is taught with  $-U_B$ , A2 with  $+U_B$ .

Two different output functions can be set:

1. Analogue value increases with rising distance to object (rising ramp)
2. Analogue value falls with rising distance to object (falling ramp)

**TEACH-IN rising ramp (A2 > A1)**

- Position object at lower evaluation limit
- TEACH-IN lower limit A1 with  $-U_B$
- Position object at upper evaluation limit
- TEACH-IN upper limit A2 with  $+U_B$

**TEACH-IN falling ramp (A1 > A2):**

- Position object at lower evaluation limit
- TEACH-IN lower limit A2 with  $+U_B$
- Position object at upper evaluation limit
- TEACH-IN upper limit A1 with  $-U_B$

**Default setting**

A1: unusable area  
 A2: nominal sensing range  
 Mode of operation: rising ramp

**LED Displays**

Displays in dependence on operating mode	Red LED	Yellow LED
<b>TEACH-IN evaluation limit</b>		
Object detected	off	flashes
No object detected	flashes	off
Object uncertain (TEACH-IN invalid)	on	off
Normal mode (evaluation range)	off	on
Fault	on	previous state

**Installation conditions**

If the sensor is installed at places, where the environment temperature can fall below 0 °C, for the sensors fixation, one of the mounting flanges BF18, BF18-F or BF 5-30 must be used.

In case of direct mounting of the sensor in a through hole using the steel nuts, it has to be fixed at the middle of the housing thread. If a fixation at the front end of the threaded housing is required, plastic nuts with centering ring (accessories) must be used.

Release date: 2014-06-23 16:07 Date of issue: 2014-06-23 220360\_eng.xml