



**Model Number**

**ML6-54-F/25/95/136**

Retroreflective sensor  
with 4-pin, M8 x 1 connector

**Features**

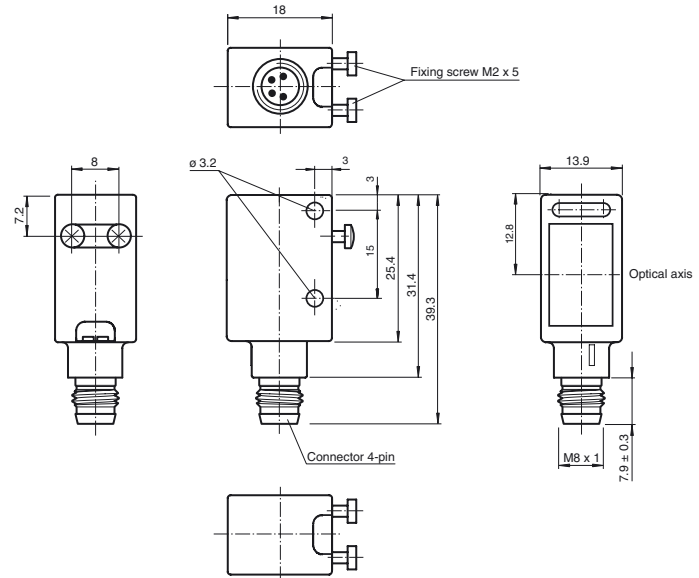
- Precision sensor for standard applications
- Miniature design with very robust and versatile mounting options
- Objects can be reliably detected down to 0 mm: no blind zone
- Small, sharp light spot
- Rear mounting option for easy mounting without mounting bracket
- Tamper-proof version with no adjustments

**Product information**

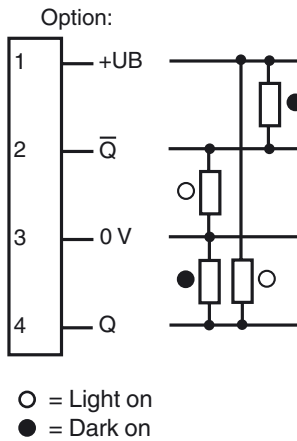
The ML6 series is characterized by a robust, powerful and standard design in a miniature housing. The housing offers IP67/IP69K degree of protection, a food-grade lens, highly visible LEDs and robust all-metal bushings for mounting. Adjustable and tamper-proof sensors with a double push-pull output are available. The sensors have a high ambient light limit. Reflections from the background are suppressed. The unusually small, sharp light spot and the quick response time offer maximum switching precision on object edges. Clearly visible red light sources facilitates alignment. A high-performance fixed focus background suppressor is a useful feature. The sensors are suitable for precise object detection and open up a wide range of application fields.

Release date: 2015-04-09 10:40 Date of issue: 2015-04-09 207099\_eng.xml

**Dimensions**



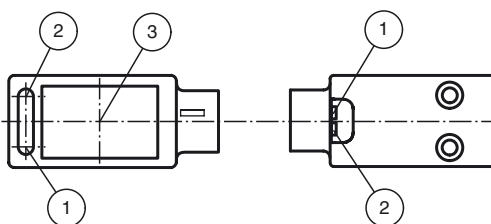
**Electrical connection**



**Pinout**



**Indicators/operating means**



1	Operating display	green
2	Signal display	yellow
3	Optical axis	

**Technical data****General specifications**

Effective detection range	0 ... 5 m
Reflector distance	0 ... 5 m
Threshold detection range	6 m
Reference target	H85-2 reflector
Light source	LED
Light type	modulated visible red light , 660 nm
Polarization filter	yes
Angle deviation	max. $\pm 1^\circ$
Diameter of the light spot	approx. 40 mm at detection range 1 m
Angle of divergence	1.7 °
Ambient light limit	
Continuous light	40000 Lux
Modulated light	5000 Lux

**Functional safety related parameters**

MTTF <sub>d</sub>	980 a
Mission Time (T <sub>M</sub> )	20 a
Diagnostic Coverage (DC)	0 %

**Indicators/operating means**

Operation indicator	LED green, statically lit Power on , Undervoltage indicator: Green LED, pulsing (approx. 0.8 Hz) , short-circuit : LED green flashing (approx. 4 Hz)
Function indicator	LED yellow: switching state ; Stability control

**Electrical specifications**

Operating voltage	U <sub>B</sub>	10 ... 30 V DC
Ripple		max. 10 %
No-load supply current	I <sub>0</sub>	< 20 mA at 24 V DC

**Output**

Switching type	light/dark on, programmable	
Signal output	2 push-pull (4 in 1) outputs, complementary, short-circuit proof, reverse polarity protected	
Switching voltage	max. 30 V DC	
Switching current	max. 100 mA	
Voltage drop	U <sub>d</sub>	$\leq 2.5$ V DC
Switching frequency	f	1 kHz
Response time		500 $\mu$ s

**Ambient conditions**

Ambient temperature	-20 ... 60 °C (-4 ... 140 °F)
Storage temperature	-20 ... 75 °C (-4 ... 167 °F)

**Mechanical specifications**

Degree of protection	IP67 / IP69K
Connection	M8 x 1 connector, 4-pin
Material	
Housing	ABS
Optical face	PMMA
Mass	10 g

**Compliance with standards and directives**

Standard conformity	
Product standard	EN 60947-5-2:2007 IEC 60947-5-2:2007
Shock and impact resistance	IEC / EN 60068. half-sine, 40 g in each X, Y and Z directions
Vibration resistance	IEC / EN 60068-2-6. Sinus. 10 -2000 Hz, 10 g in each X, Y and Z directions

**Approvals and certificates**

UL approval	cULus Listed
CCC approval	CCC approval / marking not required for products rated $\leq 36$ V

**Accessories****OMH-4.1**

Mounting Clamp

**OMH-ML6-Z**

Mounting bracket

**OMH-ML6-U**

Mounting bracket

**OMH-ML6**

Mounting bracket

**OMH-11-02 Aperture-V-H 0.5 mm**

Slit diaphragm can be affixed for detecting very small parts

**OMH-11-04 Aperture-V-H 1.0 mm**

Slit diaphragm can be affixed for detecting very small parts

**OMH-11-06 Aperture-V-H 1.5 mm**

Slit diaphragm can be affixed for detecting very small parts

**OMH-11-08 Aperture-V-H 2.0 mm**

Slit diaphragm can be affixed for detecting very small parts

**V31-GM-5M-PUR**

Female cordset, M8, 4-pin, PUR cable

**V31-WM-5M-PUR**

Female cordset, M8, 4-pin, PUR cable

**REF-H85-2**

Reflector, rectangular 84.5 mm x 84.5 mm, mounting holes

**REF-C110-2**Reflector, round  $\varnothing$  84 mm, central mounting hole**REF-H60**

Reflector, rectangular 40.5 mm x 60 mm, mounting holes

**REF-VR10**

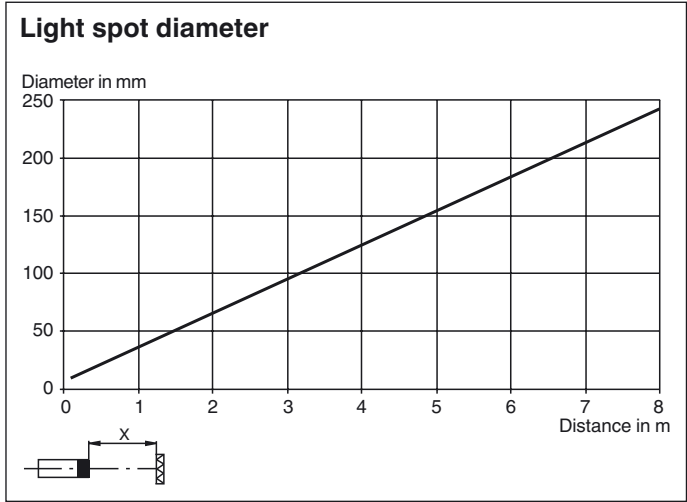
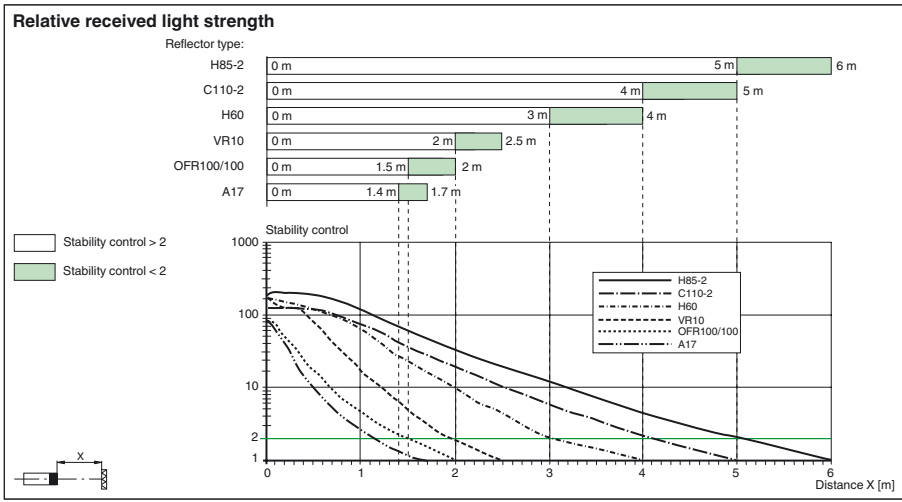
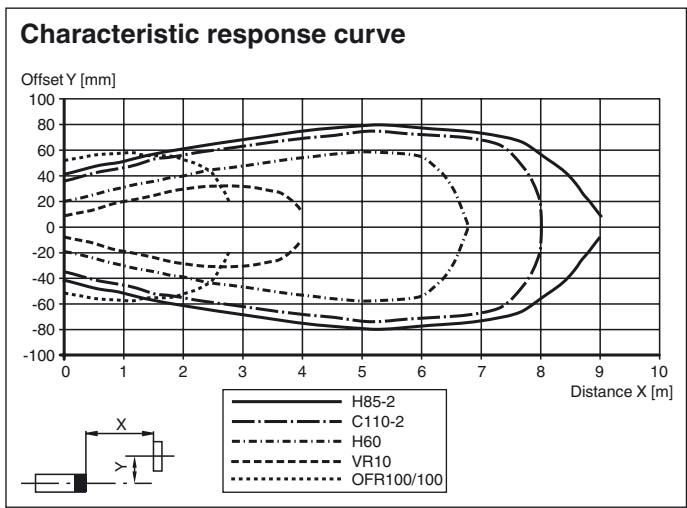
Reflector, rectangular 60 mm x 19 mm, mounting holes

**OFR-100/100**

Reflective tape 100 mm x 100 mm

**REF-A17**Reflector, round  $\varnothing$  20.5 mm, self-adhesiveOther suitable accessories can be found at [www.pepperl-fuchs.com](http://www.pepperl-fuchs.com)

**Curves/Diagrams**



**Aperture alignment**

Release date: 2015-04-09 10:40 Date of issue: 2015-04-09 207099\_eng.xml



When attaching the aperture, make sure that the sensor lens is aligned exactly with the black aperture.

