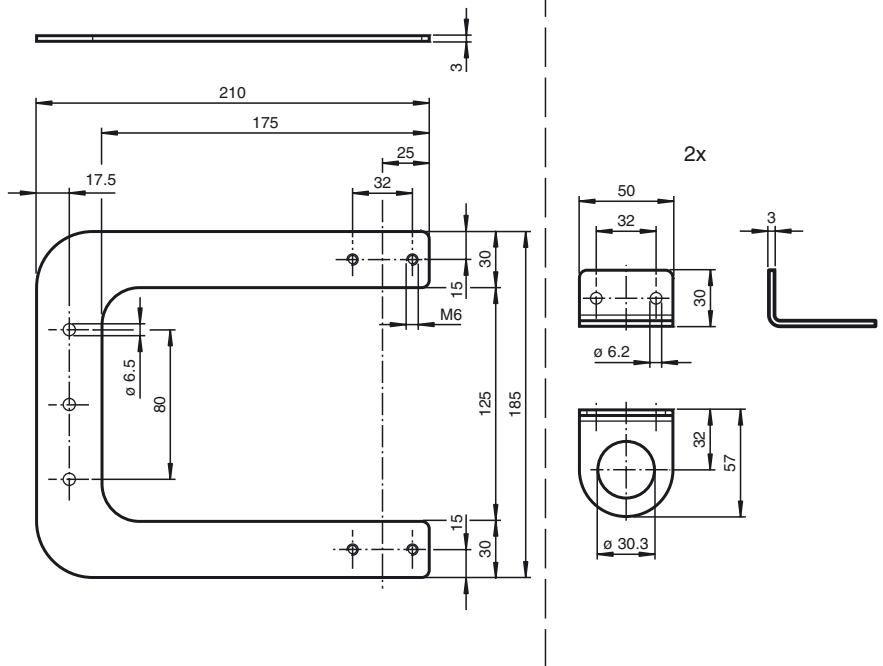




**Dimensions**



**Model Number**

**MH-UDB02**

Mounting bracket for double sheet metal monitor

**Features**

- Special design to avoid reflections
- Large adjustment range of sensor head spacing

**Technical data**

**Mechanical specifications**

Material	Stainless steel
Mass	540 g