



Model number

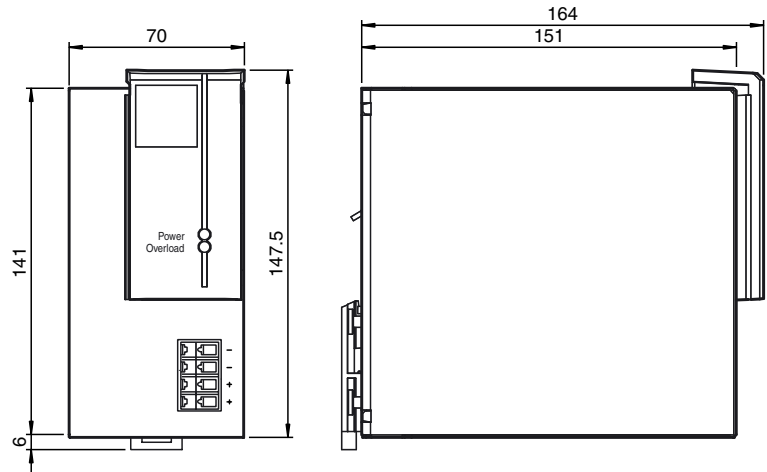
K24-STR-24..30VDC-10A

Power supply, 24 to 30 V DC, 10 A

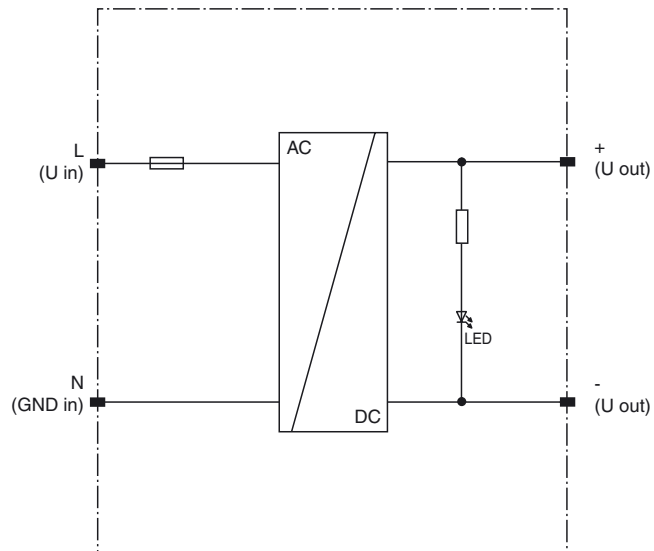
Features

- 8 ... 10 A output load
- 230/115 V AC supply voltage
- Sustained short-circuit proof, over-load-proof and open-circuit proof
- 24 ... 30 V DC output voltage, can be regulated
- LED operating display
- LED output overload indicator
- SELV
- Suitable for AS-Interface power supply in gateway-integrated data decoupling

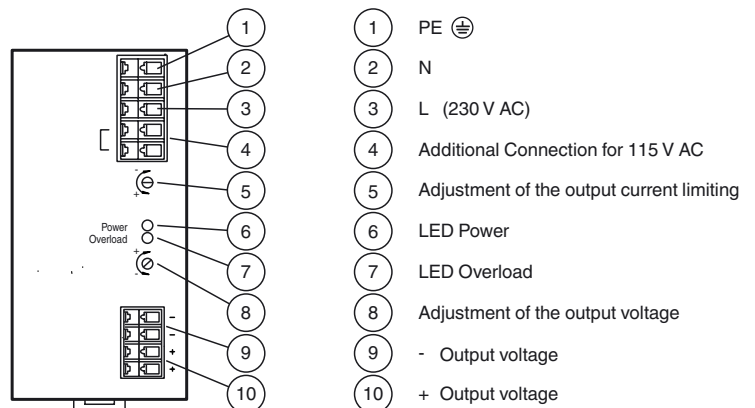
Dimensions



Electrical connection



Indicating / Operating means



Release date: 2014-01-29 13:44 Date of issue: 2014-02-07 195762_eng.xml

Technical data

General specifications

UL File Number	E223176
----------------	---------

Functional safety related parameters

MTTF _d	40 a
Mission Time (T _M)	10 a
Diagnostic Coverage (DC)	0 %

Indicators/operating means

LED Overload	Red LED lights up for overload, flashes for hiccup mode
LED PWR	LED green
Potentiometer	Top: Output current limitation (covered by a dummy plug) Bottom: Output voltage adjustment

Electrical specifications

Fusing	6.3 AT
Capacity factor	approx. 0.6 (Depending on input voltage)
Rated operating voltage	U _e 115/230 V AC (for 115 V range, jumper) Range: 93 to 132 V AC/187 to 265 V AC
Rated operating current	I _e 4.0 A (115 V) 1.9 A (230 V)
Supply frequency	47 ... 63 Hz
Efficiency	approx. 89 %

Output

Current limit	approx. 12 A
Current	0 ... 10 A
Voltage	30 V ± 1 % Adjustment range 22.5 ... 29.5 V AC

Ambient conditions

Ambient temperature	-10 ... 70 °C (14 ... 158 °F) with free convection
Storage temperature	-25 ... 85 °C (-13 ... 185 °F)

Mechanical specifications

Protection degree	IP20
Protection class	I, Protective conductor connection necessary
Connection	Connection terminals, max. conductor cross-section 0.5 to 2.5 mm ² Stripping length 5 to 6 mm
Mass	approx. 1200 g
Mounting	DIN mounting rail

Compliance with standards and directives

Directive conformity

EMC Directive 89/336/EEC and Directive 2006/95/EC	EN 55011, EN 61000-6-1, EN 61000-6-2, EN 61000-6-3, EN 61000-6-4, EN 61000-3-2 Klasse A, EN 61000-3-3, EN 60950
---	---

Standard conformity

Electromagnetic compatibility	EN 55011, EN 61000-6-1, EN 61000-6-2
Protection degree	EN 60529
Standards	Harmonic waves: EN 61000-3-2 Class A Interference suppression: EN 55022, EN 55011 Class B Electrostatic discharge (ESD): IEC 61000-4-2 (8 kV contact discharge, 15 kV air discharge) Electromagnetic fields: IEC 61000-4-3 (10 V/m) Burst: IEC 61000-4-4 (4 kV input, 2 kV output/capacitively coupled) Surge: IEC 61000-4-5 (4 kV asymmetrical, 4 kV symmetrical) Conducted interference: IEC 61000-4-6 (10 V, 150 kHz to 80 MHz)

Notes

Mounting

In order to ensure proper heat dissipation the power supply has to be mounted vertically in such a way, that the input terminals (L/N/PE) are located at the upper side and the output terminals (+/-) at the lower side of the front panel.

A minimum clearance of 100 mm beneath and above and 30 mm to the right and left of the power supply must be provided.

The inlet air temperature beneath the unit must not exceed the values specified in this instruction.

Function

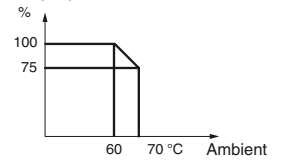
The slim-line power pack provides a direct voltage in an even larger adjustable output voltage range of 23 ... 30 V DC, while optimizing the space available in the control cabinet.

The current limit can be adjusted via an internal potentiometer. In addition to an LED showing the operational status (power), a red LED (overload) signals overloads on the output side.

The connecting leads on the input side are safely covered with the plastic cover after installation. The device features a convenient DIN rail fastening.

Derating

Output power



Output characteristic

Output voltage

