



Model Number

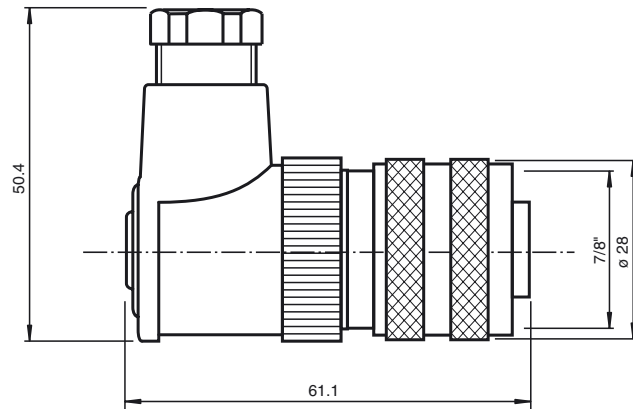
V95-W

Female cordset, field attachable

Features

- Gold plated contacts

Dimensions



Technical data

General specifications

Number of pins	5
Connection 1	socket
Construction type 1	right angle
Threading 1	7/8"
UL File Number	E363587

Electrical specifications

Operating voltage	U_B	max. 250 V
Operating current		max. 9 A
Volume resistance		< 5 m Ω

Ambient conditions

Ambient temperature	-40 ... 85 °C (-40 ... 185 °F)
---------------------	--------------------------------

Mechanical specifications

Degree of protection	IP67
Connection	1 x 7/8"-16 UN socket, straight screw terminal for max. 1.5 mm ²

Material

Contacts	CuZn, nickel-plated
Contact surface	Au
Body	PBT
Slotted nut	aluminum, black anodized
Cable	
Sheath diameter	6 ... 8 mm

Compliance with standards and directives

Standard conformity	
Degree of protection	EN 60529:2000

Electrical connection

