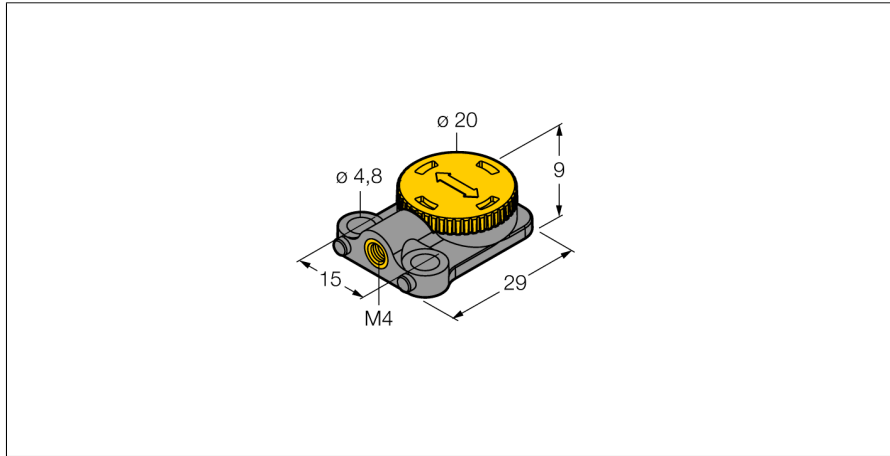


**Positioning Element
for inductive linear position sensors Li-QR14 and Li-Q17L
P1-LI-QR14/Q17L**



- Free positioning element
- Installation up to 4mm away from the sensor.

Type designation	P1-LI-QR14/Q17L
Ident-No.	1590724

Housing material	Plastic
Packaging unit	1