

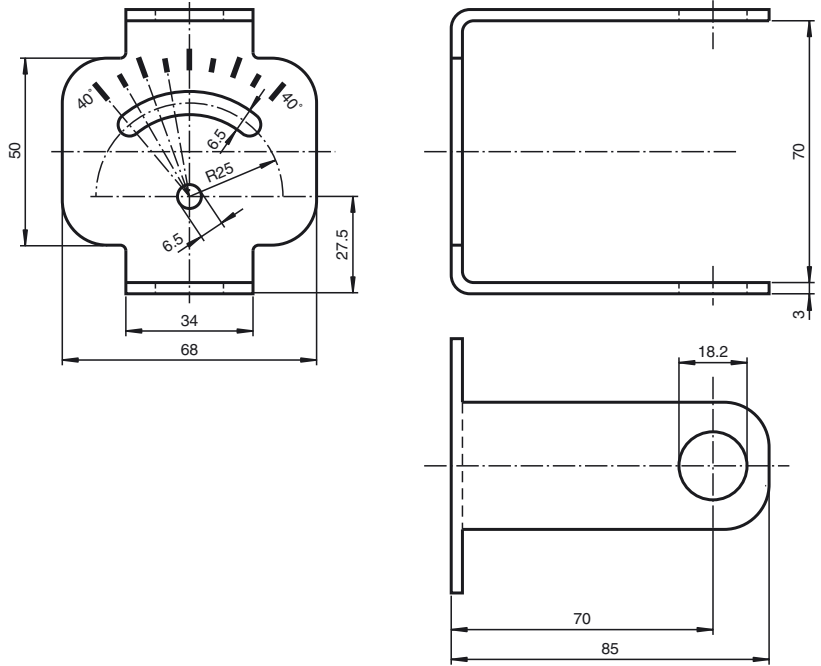


Model Number

MH-UDB01

Mounting bracket for double sheet monitor

Dimensions



Technical data

Mechanical specifications

Material	Stainless steel
Mass	195 g

Release date: 2013-02-04 09:32 Date of issue: 2013-02-04 129584_eng.xml

Subject to modifications without notice

Pepperl+Fuchs Group
www.pepperl-fuchs.com

USA: +1 330 486 0001
fa-info@us.pepperl-fuchs.com

Germany: +49 621 776-4411
fa-info@pepperl-fuchs.com

Copyright Pepperl+Fuchs
Singapore: +65 6779 9091
fa-info@sg.pepperl-fuchs.com