

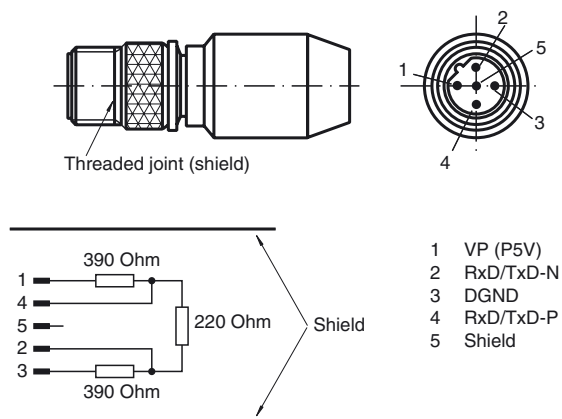


## Technical data

### Mechanical specifications

Connection M12 connector, 4-pin, B-coded for PROFIBUS

### Electrical connection



### Model Number

ICZ-TR-V15B

Terminating resistor for PROFIBUS

### Features

- Immunity to vibration
- M12 round connection for BUS (B-coded)