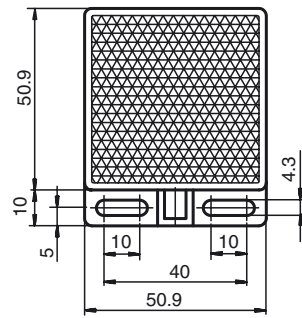


## Dimensions



T = 8.5

### Model Number

**REF-MH50**

Reflector with Micro-structure, rectangular 50.9 mm x 50.9 mm, mounting holes, fixing strap

### Features

- Mounting holes for simple installation
- Micro-structure

## Technical data

### General specifications

|                   |                |
|-------------------|----------------|
| Construction type | rectangular    |
| Tripel height     | approx. 0.9 mm |

### Ambient conditions

|                     |                               |
|---------------------|-------------------------------|
| Ambient temperature | -20 ... 85 °C (-4 ... 185 °F) |
|---------------------|-------------------------------|

### Mechanical specifications

|            |                            |
|------------|----------------------------|
| Material   | PMMA/ABS                   |
| Dimensions | 50.9 mm x 50.9 mm x 8.5 mm |
| Mounting   | mounting holes             |