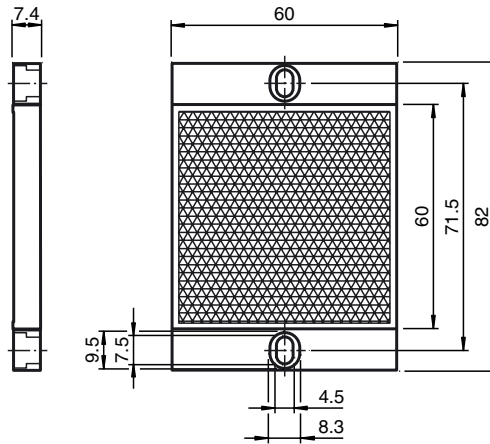


## Dimensions



### Model Number

#### REF-MH82

Reflector with Micro-structure, rectangular 82 mm x 60 mm, mounting holes

### Features

- Mounting holes for simple installation
- Micro-structure

Reflectors for laser photodetectors

### Technical data

#### General specifications

Construction type rectangular

#### Ambient conditions

Ambient temperature -20 ... 85 °C (-4 ... 185 °F)

#### Mechanical specifications

Material PMMA/ABS  
 Dimensions 82 mm x 60 mm 7.4 mm  
 Mounting mounting holes