



Model Number

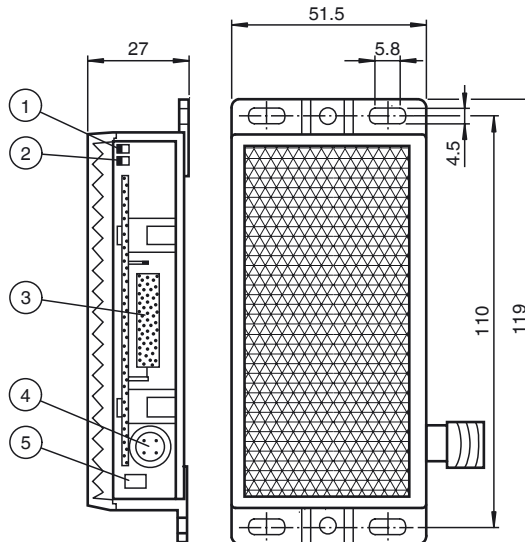
REF-HEATER120

Reflector, rectangular 120 mm x 51 mm, mounting holes, heatable 24 V DC

Features

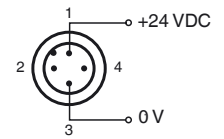
- Mounting holes for simple installation

Dimensions

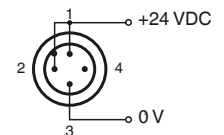


1	Green LED, ready indicator
2	Red LED, lights up when heater is active
3	Heater
4	M12x1 plug, 4-pin
5	Temperature sensor

electrical connection
for internal reference temperature
of approx. 38 °C



electrical connection
for internal reference temperature
of approx. 48 °C



Technical data

General specifications

Construction type	rectangular
-------------------	-------------

Electrical specifications

Operating voltage	U_B	24 V DC
Operating current	I_B	200 mA
Power consumption	P_0	max. 4.8 W

Ambient conditions

Ambient temperature	-20 ... 60 °C (-4 ... 140 °F)
---------------------	-------------------------------

Mechanical specifications

Connection	4-pin, M12 x 1 connector
Material	PMMA/ABS
Dimensions	119 mm x 51.5 mm x 27 mm
Mounting	mounting holes

CAUTION:

Mount the reflector on a fireproof surface.

Do **not** use the reflector in potentially explosive spaces or near combustibles.