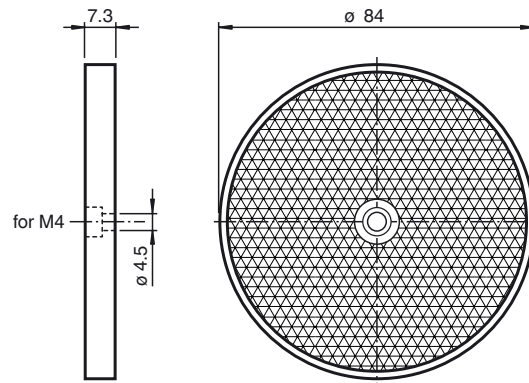




## Dimensions



### Model Number

**REF-C110-2**

Reflector, round  $\varnothing$  84 mm, central mounting hole

### Features

- Mounting holes for simple installation

Reflector with mounting holes

### Accessories

**OMH-C110-01**

Mounting bracket

## Technical data

### General specifications

Construction type circular

### Ambient conditions

Ambient temperature -20 ... 60 °C (-4 ... 140 °F)

### Mechanical specifications

Material PMMA/ABS

Dimensions Diameter: 84 mm

Mounting mounting hole