



### Model Number

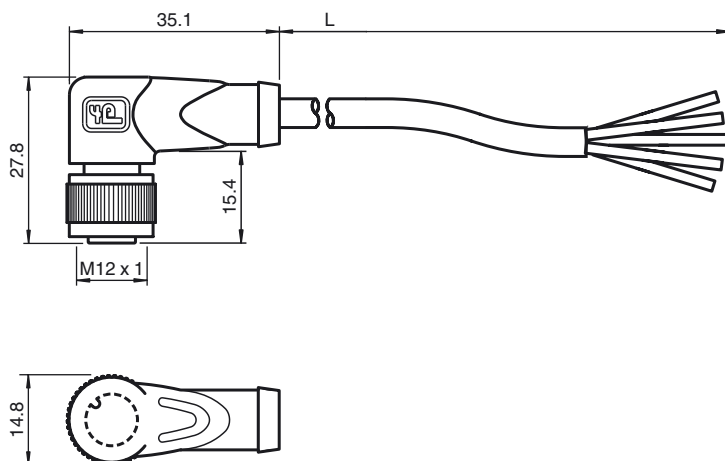
**V15-W-5M-PUR**

Female cordset, M12, 5-pin, PUR cable

### Features

- Knurled nut suitable for tool assembly
- Immunity to vibration, with mechanical latching
- Gold plated contacts
- Degree of protection IP67 / IP68 / IP69K
- Halogen-free
- Suitable for 2-, 3- and 4-wire technology

### Dimensions



### Technical data

#### General specifications

Number of pins 5

#### Electrical specifications

Operating voltage  $U_B$  max. 60 V DC  
 Test voltage  $> 1500 V_{eff AC}$   
 Operating current  $I_B$  max. 4 A  
 Volume resistance  $< 5 m\Omega$

#### Ambient conditions

Ambient temperature  $-25 \dots 100 \text{ }^\circ\text{C}$  ( $-13 \dots 212 \text{ }^\circ\text{F}$ )  
 for temperatures over  $80 \text{ }^\circ\text{C}$  ( $176 \text{ }^\circ\text{F}$ ) reduced elongation at tear  
 Pollution degree 3

#### Mechanical specifications

Contact elements spring-loaded contact socket  
 Pin diameter 1 mm  
 Degree of protection IP68 according to EN 60529 (in screwed state)  
 Material  
 Contacts CuSn / Au  
 Contact surface Au  
 Body TPU, black  
 Cable PUR  
 Slotted nut Diecast zinc  
 Core insulation PP  
 Cable fine-strand, flexible  
 Sheath diameter  $\varnothing 4.8 \text{ mm}$   
 Bending radius  $> 10 \times$  cable diameter, moving  
 Color grey  
 Cores  $5 \times 0.34 \text{ mm}^2$   
 Conductor construction  $19 \times 0.15 \text{ mm } \varnothing$   
 Length L 5 m  
 Flammability  
 Contact carrier 94 V-2  
 Housing 94 V-2

#### Compliance with standards and directives

Standard conformity  
 Degree of protection EN 60529:2000  
 Standards IEC 61076-2-101:2008

### Electrical connection

