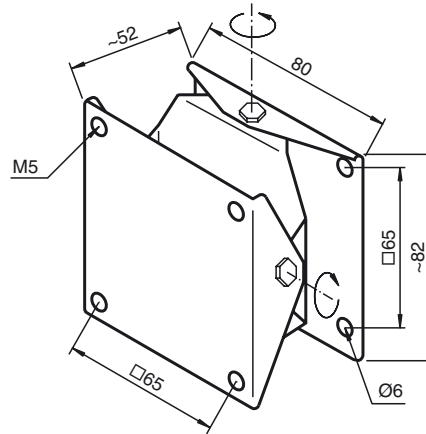




**Dimensions**



**Model Number**

**MH 04-3505**

Mounting aid for FP and F42 sensors

**Features**

- Suitable for series F42 and FP

**Function**

The mounting aid MH 04-3505 simplifies the adjustment of sensors of the series FP and F42. It permits the fitted and wired sensor to be pivoted in 2 orthogonally related axes by up to  $\pm 30^\circ$ .

**Technical data**

**General information**

Scope of delivery	1 x end plate (with through holes) 1 x intermediate plate 1 x end plate (with threaded holes) 2 x friction washers (plastic) 4 x washers (metal) 2 x socket cap screws, M5 x 10 2 x socket cap screws, M5 x 40
-------------------	----------------------------------------------------------------------------------------------------------------------------------------------------------------------------------------------------------------------------------

Release date: 2013-04-09 16:39 Date of issue: 2013-04-12 012444\_eng.xml