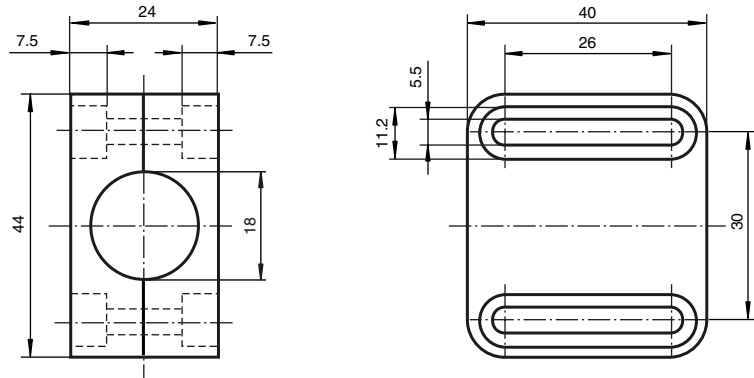




Dimensions



Model Number

BF 18

Mounting flange, 18 mm

Features

- Retainer for all cylindrical sensors with M18 thread
- Simple installation and exact setting
- Large sensing range (max. 20 mm)

Technical data

General specifications

Inside diameter 18 mm

Ambient conditions

Ambient temperature -25 ... 85 °C (-13 ... 185 °F)

Mechanical specifications

Material Base: Crastin/PBT (green)
Upper section: PA (transparent)

Tightening torque, fastening screws ≤ 1.5 Nm

Dimensions 40 mm x 44 mm x 24 mm

Release date: 2013-12-09 10:12 Date of issue: 2013-12-09 000050_eng.xml